

GRIPS

Suspended Tensile Grips



GRIP REFERENCE 67-N-27

Description:

Used for testing standard threaded and headed specimens in accordance with ASTM E8. These holders are used in conjunction with two spherically seated plates and nuts with matching studs and are typically made for testing 0.505in diameter threaded specimens although adaptors are available to accommodate 0.357in or 0.252in diameter test bars or cast iron bars of 0.5in, 0.75in or 1.25in diameter. Additionally, split adaptors for headed specimens can be supplied in various sizes and metric versions are also available for both headed and threaded holders.

Used on:

SL Series materials testing machines.

Applications:

Metals and other high strength materials.

Specifications

- Maximum force: 150kN/30,000lbf
- Length each: 40mm/1.6in
- Weight each: 150g/0.33lb

Specifications

- Length each: 40mm/1.6in
- Weight each: 150g/0.33lb

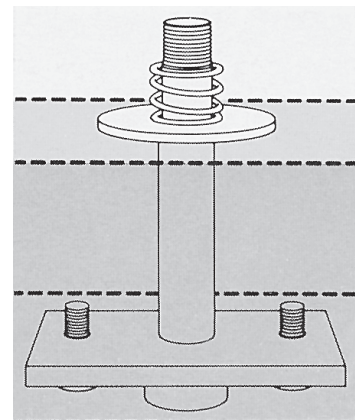
GRIP REFERENCE 67-N-93

Description:

The unique spherically seated design of all Tinius Olsen stud mounted grips ensures positive alignment. Automatic self-alignment is obtained by the free movement of a spherical nut in a matching spherical countersink in the mounting plate. When the sample fails, shock and grip recoil is absorbed by the helical spring.

Used on:

SL Series materials testing machines.



GRIP REFERENCE 67-N-91

Description:

Used for rapid testing standard headed specimens in accordance with ASTM E8, A370 and B557. The sample is inserted into the two pairs of split sockets and the outer clamping ring slides down over them to lock the sample in place.

Used on:

ST and SL Series materials testing machines.

Applications:

Metals and other high strength materials.

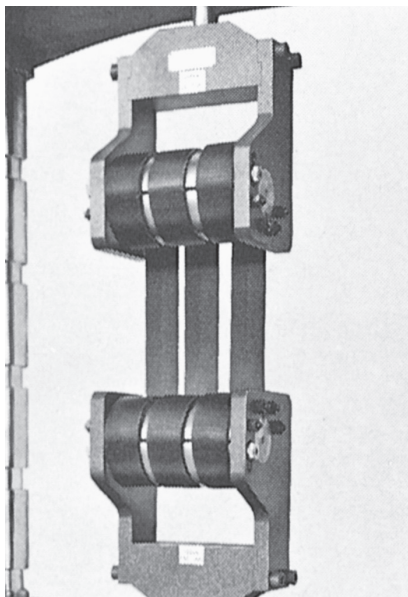
Specifications

- **For testing 0.505in specimens**
- Maximum force: 200kN/40,000lbf
- Length each: 40mm/1.6in
- Weight each: 150g/0.33lb
- **For testing 0.357in specimens**
- Maximum force: 100kN/20,000lbf
- Length each: 40mm/1.6in
- Weight each: 150g/0.33lb
- **For testing 0.252in specimens**
- Maximum force: 50kN/10,000lbf
- Length each: 40mm/1.6in
- Weight each: 150g/0.33lb

GRIPS

Suspended Tensile Grips

GRIP REFERENCE 67-N-42



Description:

Originally developed in the USAF Wright Field Lab for testing parachute webbing, these Sedam grips are made in several capacities.

Used on:

ST and SL Series materials testing machines.

Applications:

Fabric, webbing, strapping and other similar flexible flat material.

Specifications

- | | | |
|---|--|--|
| ● Maximum capacity:
11kN/5,000lbf | ● Maximum capacity:
150kN/30,000lbf | ● Maximum capacity:
1000kN/200,000lbf |
| ● Maximum width:
101.4mm/4in | ● Maximum width:
152.4mm/6in | ● Maximum width:
330mm/13in |
| ● Maximum thickness:
7.6 mm/0.3in | ● Maximum thickness:
7.6 mm/0.3in | ● Maximum thickness:
7.6 mm/0.3in |
| ● Maximum capacity:
50kN/12,000lbf | ● Maximum capacity:
300kN/60,000lbf | |
| ● Maximum width:
152.4mm/6in | ● Maximum width:
152.4mm/6in | |
| ● Maximum thickness:
9.5mm/0.375in | ● Maximum thickness:
7.6 mm/0.3in | |

GRIP REFERENCE 67-N-39

Description:

Designed for testing fabric, webbing, strapping and similar materials. The sample is wrapped around the 2in (50mm) diameter smooth spools with its end securely held between the serrated faces of the split spools.

Used on:

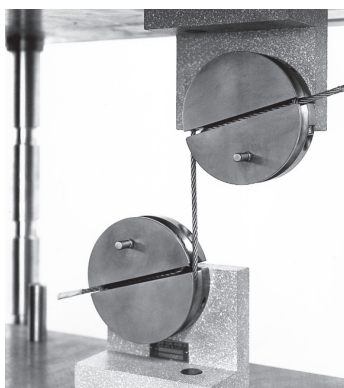
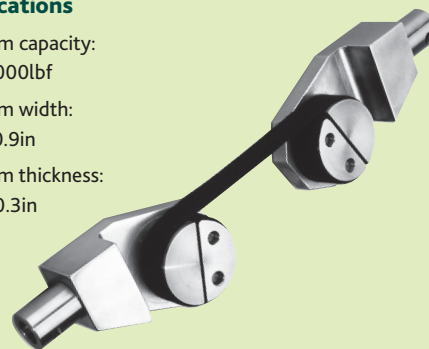
ST and SL Series materials testing machines.

Applications:

Fabric, webbing, strapping and similar flexible flat material.

Specifications

- Maximum capacity:
11kN/5,000lbf
- Maximum width:
23mm/0.9in
- Maximum thickness:
7.6mm/0.3in



GRIP REFERENCE 67-N-38

Description:

Designed for testing wire rope, flexible cable, rope and similar items up to 3/8in (9.5mm) diameter. The sample is wrapped around the 4.5in (114mm)

diameter grooved spools with its end securely held between the split spools by action of the integral clamping bolts.

Used on:

SL Series materials testing machines.

Applications:

Rope, wire, cable and other high strength flexible materials.

Specifications

- Maximum capacity: 66kN/15,000lbf
- Maximum diameter: 9.5mm/0.375in